

EU DECLARATION OF CONFORMITY
DECLARACIÓN UE DE CONFORMIDAD

BE basor
E L E C T R I C
www.basor.com



Certificado Nº SGI 3198065/11



Certificado Nº SGI 3198065/12

The company / *La Empresa:*

BASOR ELECTRIC, S.A.

Address / *Dirección:*

Av. Alcodar, 45-47, 46700. Gandía (VLC), Spain.

Declares that the product:

Declara que el producto:

BASORSUPPORT SHL

Installed in accordance to the installation standards, manufacturer's instructions and professional rules, duly maintained and used for the applications as intended.

Instalado de acuerdo con las normas de instalación, instrucciones del fabricante y conforme a las reglas profesionales, debidamente mantenido y utilizado en las aplicaciones para las que está previsto.

Complies with the essential requirements of the Council Directives:

Cumple con los requisitos esenciales de las Directivas del Consejo:

2014/35/UE (Low Voltage Directive) / (Directiva de Baja Tensión)

Incorporated in the Spanish Legislation in: R.D. 7/1988 and its modification R.D. 154/1995.

Incorporado en la Legislación Española en: R.D. 7/1988 y su modificación R.D. 154/1995.

And it is suitable and safe for the intended use and it is in conformity with the following standard:

Es adecuado y seguro para el uso a que está destinado y es conforme con la siguiente norma:

UNE EN 61537

Additional information:

Información adicional:

This product is intended to be installed and maintained by skilled persons, it may be used by ordinary persons only as a replacement part, to substitute for an identical device.

Este producto está previsto para ser instalado y mantenido por un profesional, puede ser usado por una persona no formada para reemplazamiento de uno idéntico.

Place and date:

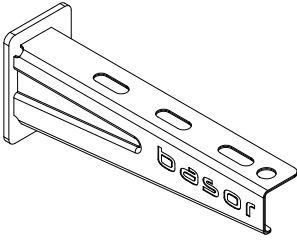
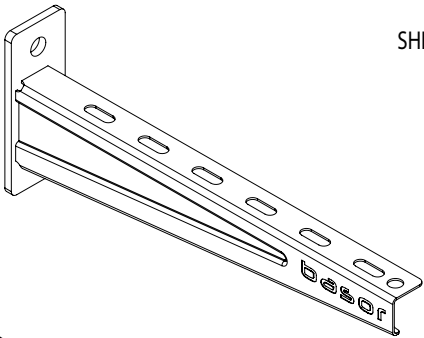
Lugar y fecha:

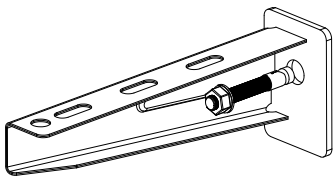
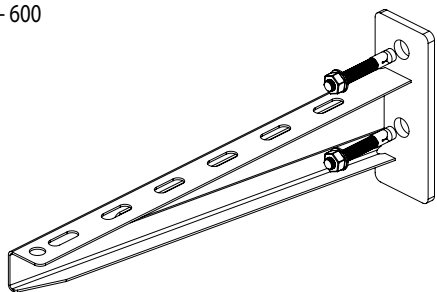
Gandía April 2016

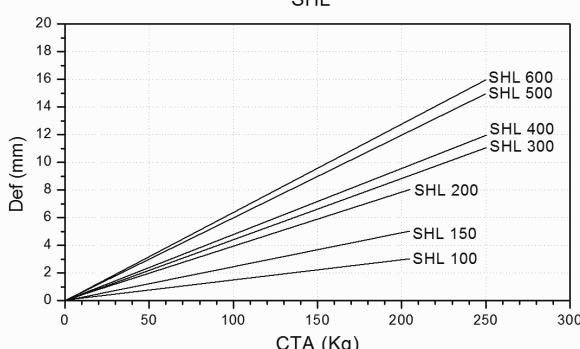
Gandía Abril 2016

Technical department / *Departamento Técnico*



SHL HORIZONTAL SUPPORT	
 <p>SHL 100 - 200</p>	<p>Models (B): 100; 150; 200; 300; 400; 500; 600.</p> <p>Finishes: HDG</p> <p>Characteristics:</p> <ul style="list-style-type: none"> - Metallic - Non-flame propagating - System with electrical continuity - Electrically conductive component - Minimum temperature of -50 °C - Maximum temperature of 150 °C - With metallic coating; resistance to corrosion <p>ZN coating: class 2 HDG coating: class 6</p>
 <p>SHL 300 - 600</p>	

MOUNTING INSTRUCTIONS	
<p>SHL 100 - 200</p> 	<ul style="list-style-type: none"> - To fix the support to wall two anchors are needed. For models 100, 150 and 200 only one anchor is needed. - The tray installation for an electrical system should NOT run under other types of canalisations such as water, vapour or gas canalisations. - To guarantee a good ventilation, we recommend installing the trays keeping a minimum distance of 250 mm between each tray. - Trays which are placed on supports shall have to keep a gap of 20 mm from the wall to allow for a correct ventilation of the cables.
<p>SHL 300 - 600</p> 	

SAFE WORKING LOAD																																																																	
<p>SHL</p>  <table border="1"> <caption>Approximate data from the SHL Safe Working Load graph</caption> <thead> <tr> <th>CTA (Kg)</th> <th>SHL 100 (mm)</th> <th>SHL 150 (mm)</th> <th>SHL 200 (mm)</th> <th>SHL 300 (mm)</th> <th>SHL 400 (mm)</th> <th>SHL 500 (mm)</th> <th>SHL 600 (mm)</th> </tr> </thead> <tbody> <tr> <td>0</td> <td>0</td> <td>0</td> <td>0</td> <td>0</td> <td>0</td> <td>0</td> <td>0</td> </tr> <tr> <td>50</td> <td>1.5</td> <td>2.5</td> <td>3.5</td> <td>5.0</td> <td>6.5</td> <td>8.0</td> <td>10.0</td> </tr> <tr> <td>100</td> <td>3.0</td> <td>5.0</td> <td>7.0</td> <td>10.0</td> <td>13.0</td> <td>16.0</td> <td>20.0</td> </tr> <tr> <td>150</td> <td>4.5</td> <td>7.5</td> <td>10.5</td> <td>15.0</td> <td>19.5</td> <td>24.0</td> <td>30.0</td> </tr> <tr> <td>200</td> <td>6.0</td> <td>10.0</td> <td>14.0</td> <td>20.0</td> <td>26.0</td> <td>32.0</td> <td>40.0</td> </tr> <tr> <td>250</td> <td>7.5</td> <td>12.5</td> <td>17.5</td> <td>25.0</td> <td>32.5</td> <td>40.0</td> <td>50.0</td> </tr> <tr> <td>300</td> <td>9.0</td> <td>15.0</td> <td>21.0</td> <td>30.0</td> <td>39.0</td> <td>48.0</td> <td>60.0</td> </tr> </tbody> </table>		CTA (Kg)	SHL 100 (mm)	SHL 150 (mm)	SHL 200 (mm)	SHL 300 (mm)	SHL 400 (mm)	SHL 500 (mm)	SHL 600 (mm)	0	0	0	0	0	0	0	0	50	1.5	2.5	3.5	5.0	6.5	8.0	10.0	100	3.0	5.0	7.0	10.0	13.0	16.0	20.0	150	4.5	7.5	10.5	15.0	19.5	24.0	30.0	200	6.0	10.0	14.0	20.0	26.0	32.0	40.0	250	7.5	12.5	17.5	25.0	32.5	40.0	50.0	300	9.0	15.0	21.0	30.0	39.0	48.0	60.0
CTA (Kg)	SHL 100 (mm)	SHL 150 (mm)	SHL 200 (mm)	SHL 300 (mm)	SHL 400 (mm)	SHL 500 (mm)	SHL 600 (mm)																																																										
0	0	0	0	0	0	0	0																																																										
50	1.5	2.5	3.5	5.0	6.5	8.0	10.0																																																										
100	3.0	5.0	7.0	10.0	13.0	16.0	20.0																																																										
150	4.5	7.5	10.5	15.0	19.5	24.0	30.0																																																										
200	6.0	10.0	14.0	20.0	26.0	32.0	40.0																																																										
250	7.5	12.5	17.5	25.0	32.5	40.0	50.0																																																										
300	9.0	15.0	21.0	30.0	39.0	48.0	60.0																																																										